

# NET on a Diet





# The Drive Thru Technology Stack Principle



**WCF**

**ASP.NET WebForms / MVC**

**Entity Framework**

**SQL Server**

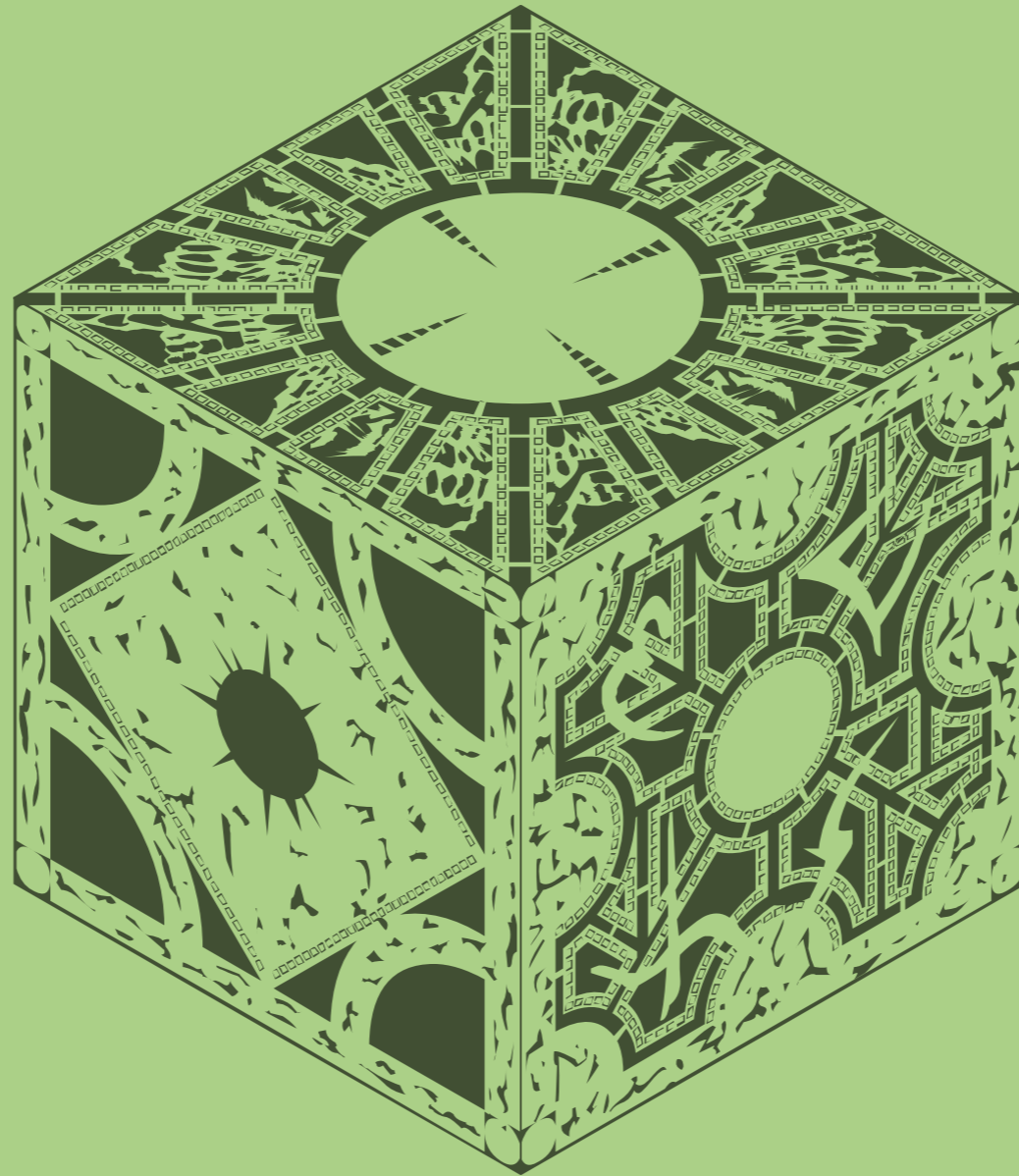
**MSBuild**

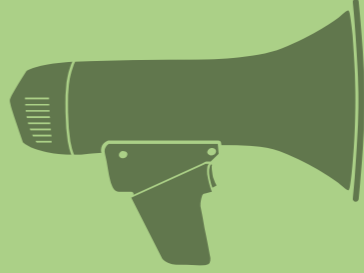
**IIS**

**Visibility**  
**Easiest Option**  
**Perceived Safety**  
**Familiarity**  
**Marketing**



**So What?**







**Well What Then?**



**Monolithic**

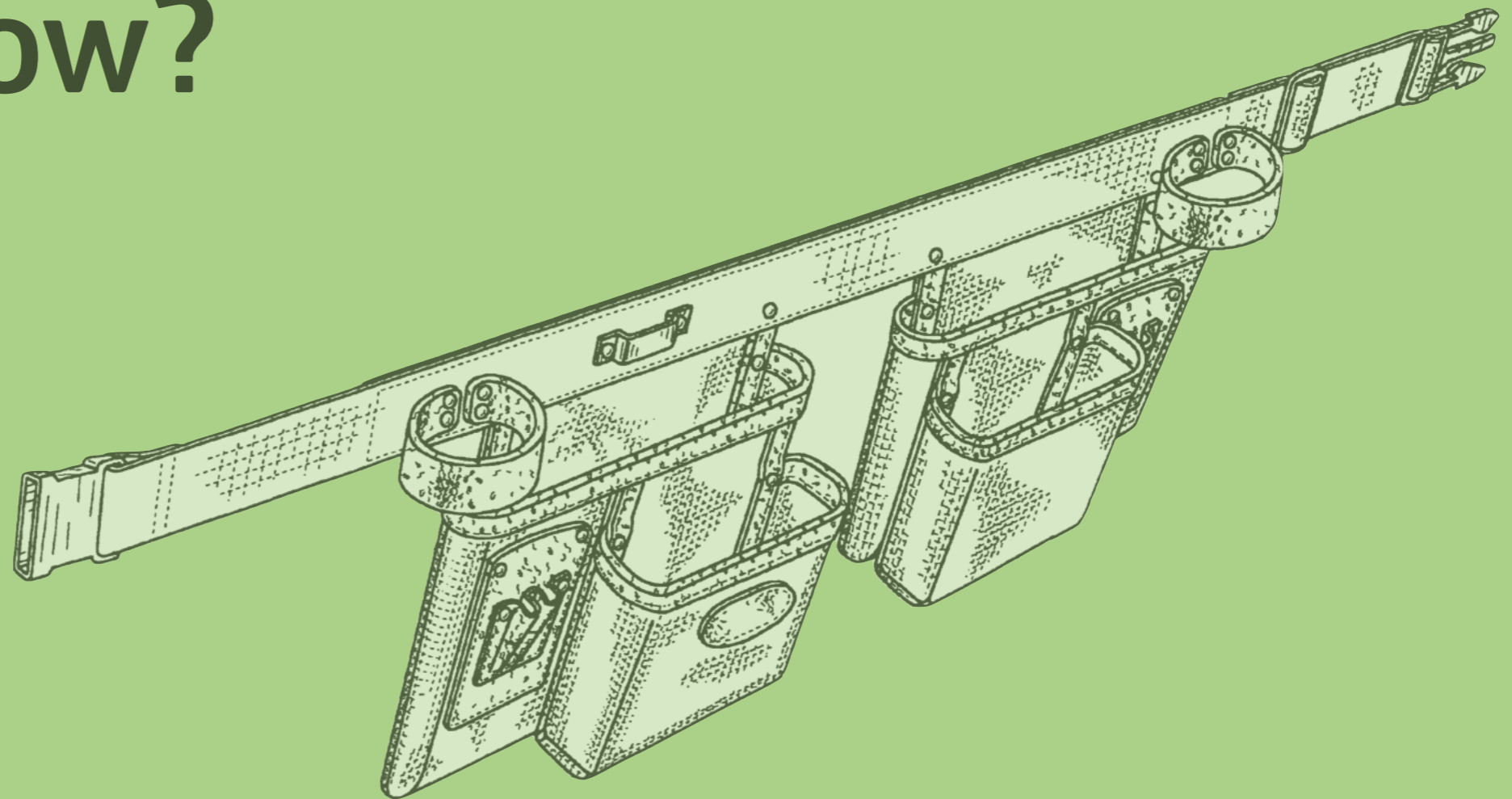
**Based on illusion of safety**

**Controlled by ignorance**

**Compositional**  
**Modular**  
**Lightweight**  
**Dependency free**  
**Convention based**  
**Container agnostic**

**But How?**

**But How?**





**WINECRAFT**















**Alright then hotshot -  
What are the “right  
tools”?**

- 1) Awareness**
- 2) Awareness**
- 3) Awareness**

# WEB SERVICES

```
public class ContactController : ApiController
{
    public Contact Get(int id) { }

    public Contact Post(Contact contact) { }

    public Contact Put(int id, Contact contact) { }

    public Contact Delete(int id) { }
}
```

```
public class Echo
```

```
{
```

```
    public string Content { get; set; }
```

```
}
```

```
public class EchoService : IService<Echo>
```

```
{
```

```
    public object Execute(Echo request)
```

```
    {
```

```
        return new Echo { Content = request.Content };
```

```
    }
```

```
}
```

```
public class HelloAppHost : AppHostBase
{
    public HelloAppHost()
        : base("Echo", typeof(EchoService).Assembly)
    {
        Routes.Add<Hello>("/echo/{Content}");
    }
}
```

```
new HelloAppHost().Init();
```



# WEB FRAMEWORKS

<input type="hidden" name="\_\_\_VIEWSTATE" id="\_\_\_VIEWSTATE" va  
wEAAAAAAAAAADAIAAABXVGVsZXJpay5XZWluVUksIFZlcnNpb249  
mFsLCBQdWJsaWNLZXlUb2tlbj0xMjFmYWU3ODE2NWJhM2Q0BQI  
hZ2VTdGF0ZQEAAAAPX2NvbXByZXNzZWREYXRhBwICAAAACQM  
9UrX4HShCIBgEyTYkEAQ7MGIzeaS7B1pRyMpqqyqBymVWZV1mFkD  
z9cZmQBbPbOStrJniGAqsgfP358Hz8i7l6dvnzyE1X75Zvp7hdPp1cvm  
D4v6bP8yefz65/67u/z7Pe6fjif3nuy/qnf+yfa3+e7q3l+8vDpZG+3nezt  
x9PR6+uY0f7L7U6vpXllQm+qnjs+ePH33+5x+++r42dnrDTAZzuoHL39  
+anf+9VO9t37y+nuq5L6uM6+2+LzF5O9V+XJdbn3k5//ZPNTv/d3Vtn  
tTnXzVnz8z7zfon936yeF7+5Heenzz5LrX7Qfbdh+uXb4DL2fqL1/s7NM  
tThdfPZwsfnJ39u3vzCcnVxdfffsnabzlT7/e+8n7P/n5w/qnvrv/kN599  
P2fHFqf7kv09+6uLgq9/r6vjkpz6n+fj893nJdLuYP53ee/F08vmzH0yv  
+9sWr87OffHFyfPGdt0znq4PvPnly8PTJT5TXv8/edz6f7D3c+anf++z8  
48OQYtz2jepZ9nJ83x8eInfuLZxasF4UJwzp4SDwgOT47BE9SW2l98  
+MkfxObmq8Wzt2+++5Pr2Vflzk99d+fnZl6e/ER9THNz+uT3efFTF2dPj  
7PT44uvTp5cnH37+OLi5OQnzn6v44vm5Cm1YdpdHHz3eL7/bYJ7O  
OQPst97VZ59Dp77yR8Y2jA/X3317PTtT77Nfu9Xl9PiyWJy7zvt7/N7/8  
+dXk84fXNK8Xs8/nu5Pvfmf9+3y3bKbXT8r8208aglESrBay0O3r2zu

N7v1pNFtOL189evXjz9KsLkqWrGfX7UwR/gnn49ou3P8X0OKP5I/75  
+yH7vFzs/uSjL2fWTnybal5PlT7SkD97+1OsnBfX1FrLbx3ZWxrTzouKa  
yJvfl8uiS8iSbcdu/F5eTzd/Mp4deF/51n37mcf5sZ3Lv7OL32Xu3+qn  
8flVvf/7eGMgOuxOv/3kknFYPLw+e/bip7PPf/LtjOg47dFl/may92L1  
tRX71bTez9xQfNOtL/isdlc7/Tm9idfd7+Sab92ecvmgxjONkleXlFvPo  
Pbs4feb0qSd35XfmP3W6S3P4k9+Zff6TLcnhVz/F4yvr5+Ws/H2K+z/  
zTk8vTd85/+iSt65ynRZGf2e3+nfPnd++Xs98b8XpGcP9n9fRbvVr/PTU  
uCnnno6aS/USccXv893n7wL6PbTTsc8OSUa78p8Ptub7jj7/Nma+Pir  
u6Df5F6vzXe9Ns8ni4f3iG5vle8/sXj2g5/6bnfuX1makZ6C7bl483lZTB  
q4/rWw/UnZt/9DvHGFxevf+8XP5h996sL4rH577PXsj746l75A8yx8M  
YCfhm8DXIJ/x8wX7KMyHn59+h3il+PmrsoUOPSPdRXP+Kek5tkWwz  
+3vs7g/J3v4g7PPf3J/+vk7kuWfvFYbC1/oKXwhkaeHpz/13Rf0PeSfd  
knSlUTn74KHX0G2SKcc3MrmkV9gcfz2KXT0K9IVP3mvr3tBF9jbGfD  
+Xehm3bp94dXjMuVxeU29u7kxOH+9qvFw53fR+jbtcEryCr5C7Cv5K  
wU0eqnrp/8YPZ7P2HbQ/YEcN/8Pnvz8qe+zXyKsf1ebmy3sHXHZ89  
+16h7Reu7a7ftju2xU999xnrEsNH5Fd/SX7117cN6ldz3z9x39PNP0W  
+w09edvn1Wen08eu9+5ezvXc0NyQPp9+ZE393eHOzXTi++lko3K/u/  
+7k9+b8Xzm8Nz14H6HaD8T3nZ0+Do24eRjL274DulG6tP6zk9+av77P

Yib7Olx33U+V0+YJ4hvTRTx+//+6LYh914xzcqN9NZP3PvJZvbtn7z+qTe  
+p37v8arLXlmR73n3x089lu35178unp3svvvud+Rd7P7HjxvIMds6LW5  
05+6cHkGkhXKB4BfvGAv5k9+8qdlzn6y/L1OyonhtedvEafAjhA9Pt/9  
3ize/z7ss3X+z81Jvj/S9/4oud5z9NMcbnYqMkFrex8nefzPeff7U3v5x  
E3kOKm75zOTm9P5989yuaRfDljPjmJ+CXvDQ+HmD93tfPTkkPzn9i8  
37fPdFRX7jG8zj73OPYrdnQpefesJ5EH7/1Pq5v0/+hGx//u2fePbkq+8  
+9N8/rk4HOaSbKPPzUHL377arfy/MvPv3119YyoAtv6A2n7U5+zDb7  
MRPvqDczfXkHWDZ3yPtVi/JE1r9PntfkdwC3wPMk7cPyTcqf/qn4NM  
dN09OKJfy01m03/tev6dX5E/v/tQr4Br9vP/+qydBu6/2ymZGOgA4  
MmM6zV6SbiAd/rCOzk9Jsvt7P2kEz58iuLuUH/gqRp/fi/Ahv5H8qU  
+e5/4Pzr/37b6RfC2OikG92QX+u7+D6bwD8j/4DnufRbB5yd/Cr7Wn  
h5rR3rwp8+upJ35PdJul757+52G7N75E2gM0vGD8/sT898bsf/k3uwl  
cnnXbqxe9+NqPpWaDNoX8ue9+55L0wv7Ppc5+VqwWnVziGflVb/  
1c4jH7ij9xfqw5SYpPKb8CXqfvFtYnEhrHdJTMBEXYDm6rl9Q357aflx  
+Fb98Jt00vHF1MLp6h/ild/L0zdXZv4pT2jfGdA71M/Drj4hf6sxuH3H4  
+bOPmbufh7oziqwnhB/nwdJP2d+XabtJFx2cv3Li6eodkn94l/iGc7q9  
+kewuNz8oHXiBcNbzz1+OgGPXRy6vjoOXxd0m9XlHdEHAHYvc8Ul1  
+cwPabts8cvmc/uYd47OG96Q+YB4O/FU8TV8FvUH+LYoiLkvT+faL



+Dv03uld8nvWv8UxUBYN0DcQHxRP+H1i7cvX5JefPoTZ8dWPz5hv4  
YLsz6vvkM9T5pQLf3ZBr+9wHiD87NkTxKVvkDcnWX5CfX/35OLg5A  
dTvdUXx6Oc/8eyEcgekJ3feLJ61P/UK734FnfYTNJ7z01dva  
+ipnyKavqG1lZn4bQb2+enx2em3351aWE9+8hXx57sS433yitZl3h2fP  
+fBHEAuRrHovv+j4xwHfP7r3YO939fX7w1d4Xb97+4MXnX119+bTUc  
22Zt1eIPXmcx8fNKnf5RWER3sKvfUW5i7L5qdN3l4gzkOP5OYqDnoA  
pzue5H9pNyEd++lj5+tX/6e+89++np3pTin4fvCOcd4qNlyEena+FpWro  
+M5Llp69/8ovf+/iJytZXNA+/9xffPX5CMv1u/yvKFZxMSAf/1LNXL5yb  
+Tn2jvEf/sZE+rd+Tfl1/ucY6H14mNPnk6P3hJsn9+uiAeffe2Pnl18NWzq  
vq1ZvXX31B+auvzgjvn7D6h3R5VydR7uMnyD+6Jn9hPRM9o7rn98Fa  
+96LErgelw9/+qdY37BOKJwHuY6v2KY9vE9rLd95xf4vrZuyTJ2h3RC  
mT5+iv2R2m98Ysb+3ki/vamfkh3/RTHsT8F3b/4fV4Sz/0+Esu+WgR2  
+O8mD335DfvT6+mLLYndq4WNh99pTX87949vT3ppxkQMuvPP8w  
+b86PxX5xbhnr39T3T5jcHXy+7yzuF9N7xw+c/xn5fKi95lK7n5t8b+/z  
+y7F8+O3xznJ6flhVMOk9eifuK7p58b+IxbfvqTtP73ky9lb+6SLvxOSk  
+fldeMXPb8KXJzu5eHG/Q1Py3Z/tER9RTOLnLa+ePXuGvO9P/uDsGe  
+7XrC8gTnuBNcwdzrcn33b8dWLn/xq5xk+OzX8jbGz30N/nzwBzX  
+x4cRjiQYrDyA7SeH7wvOy99+TbFw/PKA+yyhcPMRYPXnkzvLdz5J

+vubyz8q/rf6slr3vpmugz1SEmxvV+Eo0Rk/4+WFtaD60t/eTnz4qfGx  
+vfHFR/gTWl35yUZazH3zx3SciQ2dubYlivjfPBN4PrgjezsmxzVP8xPk  
T7U9KHLnZ3Ct/7J/Z+C3Ts+JX31+9AaxnrWtHFxo868/0o5AJbyGH+  
RG2AtCE4FGMQTNbh5NtJm75v9xXarr5bOp+A7DHZ969+ODnT7/JY  
Zkevt1+pH3Hw3ewJpV/vUez++cNW5vwFydVXpE/PyO+v4AMlbY  
537b99bMSvvox+xhffecnev8+e3KN2Lfb5snn3Obsq9/7Jyn  
+e4U41M7LGeWHaP6ewbZS3ueUYr6fhv8zUz445jn7KZlX4nXoBfl18f  
v7B5aOrXyLr4je8OXhPNen7Qt68Jd4qzyLf5HLnlr3bKp8fLhuKog/lX  
+VDIDe4+5TGRfqUxcpuvsIb7E2ffho7+nGzJt9+VC6ab00VPkKOckg8  
P3z4+/wroF+MHYZ1qnNn6J+rSVZ1vPP78g3ojYcuimjv81C2zqO82De  
YjTb39n+ZP3aP3x5AnBfPZ2Vj7BOrL4EoQz85r63afz/Z98RevCpLdL8  
d3B6XB2ffHtevv6p786Qfy2n5Yxi47lp80LXla8pTphGYJ38Pr/3i/Kre  
tk58nWf4V1yOULWiN593LyVtfWn5m1+J98qzyMdfQ19fn2yWu3RtuM  
fVERbqRjXH4Buivr3WTw8w3o6YsJvX7Vvv33xk783xydPEAPjefLtnzg  
J7x5buZQc4xvOxTxBDvCnMKfzJ7TuS7mW8hWPnW3VTkm4/STW5  
4+99778XO5OnxVSfHfvLFm2P0xT+ffvcC8119I3B/WuH+9DcL94Xi++J  
kpdNrOz028/+T3+ULk0+XIX3/+k/OfYh4zcmx87i+enfze3/np34fy2B  
Ps3RdPkHPkny8y6Pfri2ff+Um7dvnOvKc/935v9VmmO5wDOid723z

7U+Zt7NF6aD/5ex/CFjQ++aV5yMaaNL0zMs+fPSywWOLXdC3397uv  
uLi95G8xaeUk73+ohNbff723ZzWYi8mTLuzi5+Cj/h7f0Ftv7p8URyQr/  
+PDHv3S5+vYVNvLLy8xPTxez3pnWsqzOyZT/x3Vd75Cte03oPy4mu  
+AZ+0pP8vvhE7cj2dqAE5frVDOR56RI8di59h1xW/ldn  
+ka34ka34JvnpR7biytPXE6lr8SzmKtCbqrtlz97evqT1+TP7pydzufIO  
+cu9c/8TOF0+/WL/4AfOBzYPZ9T+bB/uJ82/TGt4J5Zu+fUU/rzp5Jy/  
FVfvLd2c6sfLiYYo3tJ5rVrBxcL/pKfPufukZ8/nOTZ6JA9qJ88vsvSin9  
e7spyk3QTSYN5OfoHXPq9P8yR6P9ad/n9/7SUKxAuUh2vX03VdPv  
9nT8sW7ySnWd569oVj7mtbwf/Dti586z75bXmXfPX3+e/0+Xz2J5ee  
1fAoeodzufld45OVXe/NLotQ1je+K1oYuZ8DnCa0p7RFNv/sTtE43bF  
+32P/JY+aLGfhi0/oojYfm/ed+fZTGMD8n+XxL+uZ6dvzV9M3igPzK+V  
SuSfX5b1BnnwmMS6tod+n+d75ORsj/L2zs4tvv/tORTLOvPTmc8rf/t  
f0lr+D4iHz4QmJC/EEyTf50SvBcnOdfZ7v2pJDpfQHaTzS+X3lfD77iC/  
fbnSI6Plcc0VspV/AStB3431F9fvNv/nMZeUW4DuZ1vMy32COeLZnV  
+Tvlz62u4jHuwp7JHP3kmtZ3aB1leqw5zjPodpJ5Wp+/AB/MOf/07i2t  
+ojzwMxrvfVpze3Wf/BfOYUuOWX2ldw2vmXA862l4LzcpvqkfP3L+M  
+s3tfcN8ujj356eP95z84fvf8B6f3v3zzU3jnmXvn7dsvXl/94MUPfp81f  
AuCsabfl59fqUPwrMQ6BqX9Di6zJwdXnMd/dfCO2lw/+4nTb6sfSu

oL8h6eE0wta/3ixd3H+5TH9TTn8L2lN4cs5+Qk/aJ7/Xu/I7/jB1bNvn9  
MH083fz/PX++UuCeUp98viKY1pbuTh/SWM/vfji/OXe73P+E59fnP/E  
PX9O7r79L69RXx6Dz7/Psgv4m+K8plv78J86efHvninIbD18QPX7yeP  
1nb99ukvx9rNP80W5zl4/wdpp+1PE178P2SVaX17NsLbzeRnluRffjfLcy  
z23OO3H3wov52Uz37y9Vcvnj//SYoF7z2J8dV+nK/OruJ8NX374ukX  
WT6sn335HduaqeSL+zfEXuub0XVI/ptzJ29/n/PciWv5eRKvnn391/hx  
ipn6C1R3rOn9PcfHHM8cz5FzRfX8yD+OX8C8QtPxilU37wFeGy/+Tb  
OKDBzRHP0E/D568evcl+ZM/nX1eNj+Fdafvvrik+PoHZ99+Rfxm/  
Zz1t3+wQ7x4GvpvP6C xv6O18h88XHx750n17R1an92hnN7OC/qd/K  
b84Rewa2+lZs9+4uz8zYW/9lvSnPyk8BXmyqzzXVEuEWvan5v8aCc  
+izGQn37vRYzX7n+xiPLa/ga7ef3lG2s3f+JHeuz/M3rslafHdj9Uj53uvr  
+/LpT+w//+npFeTk9OpHOu3/KzrtmeYXWactPlSnvfiK8gg7s+/O5u9  
+OEZ7Qe8YMvnjKfm1wlwa6uvnx98O4LWbfa66xbffs7T9/  
uvjihOBC8PTfrdhSDEL4qB2ffledEJ45zdfvRfrmnH4+p5+nx9XJ8dPPJ  
XhO8PohzeExtZkSr9Dc/eDsJ49/YiY547fl6bd/8AV4ZSceNx/sEi5fEi5  
hQ78knTIKfHyy1vnZw4eEoxXx1gDq05Ozp4cvCa4n9Bnr4/fHdz9qfr  
+l794cP3n4LI7jw8+p3bepzVfU5ozaf+en9n7i9z5Gnv/dBdmJh78Xffa  
+T7AWQ/OZPy2fzDlfTDmPaflT88m3f7IkPffu2cWzBc878Qqt4fzEswv



+JBv39OrsWHQq8cbVwcnxd3/i9yLcjsxUXXQ+9b/SwvyZs+FB1JsXzP  
+f8fy8+T4oadPWSYmtLZx7+xk5+KLn36yKxHnzxZfrc9Ov1o//YnVk+n  
+Xs9Pbt6Uby9ePHmq93ntE784s0MeHwejuuL7tydvyFd8cUr  
+nshNgZr4Rg3+wfwJyhvSGtXq5+iXLDxB37i27T0+RPsD1gf4fTbu/rZ/  
+fVK6l813BdvAftEbMN3n8z3n7/6/CcXv8/v/ZPN7Nmr+9PPSX//3qX  
8JPfLq9+CnmXfi6T8io/hbUf5KUe8ppwsY88zDvOPVF+idaxm9m3f/  
hqsteWlMt598VPP1v8Pt/96t6XT0/3Xnz3O/Mv9n5i5+TJ/u/1E/TeZlf8  
+gp/HZU+j071xfrGZevvkn9uZzsuuryWK6/ureq/vM9+VPrrPf+yd+jnJrX  
+6wKevy9gR5by3U/svfi9n+wTG1S/17vpsy9++ve5mn57ru2+w3N+vP  
+a3mZOsX6yMDViTv7EvbRQ3tNnr93/8gycWT/5d7DHbJYPD073fB3  
+1Yn5fc76WN4h/XY9xdifgkZKh6dCrwE8HI7ePHxBumL/O2+++2z/ze  
fgt820Heh+Ju507F6390wd6R33LycfvHmNjTz+PvpqYebwJK4wuelM  
HK7eYjTpNXll7i93+hNDg7/0nyEb4Bep963/1wZcXjLX9st4NpaDrAm  
+pB54kaa3YYHfT34tPP3iYwZerH8qZ/4vSmvsWts9Hyjff7uV8/2ybf9  
zClnqodul383j+2JB//Jz9Hc/XDt8M/VXP7s8Ken777OnA2M5ezWsnv  
9lXi3KZffsnvP73P/+JxUPKPTxsFY8dGlP+5JRyEUtud/Li+idvMV+cN/p  
+5957sb50Fzl63EXMUTyjm+mk/+/zrnV2fskxzLHBMtkfvA+kP5dLL3b  
77fmXNCTKjZWUd30x2btf5q/2TznvgXwwzf3pDs0h+UA/dfpTllvend

+R9f99+s38q7IFdbDznmtEM+zV7Tu8vbZk51ZSXnkS1pD8Ozwi+H+biV  
Z97vXUbun7p0fXL9+s38q7yL/Hb7301W/wU/lv/VP0TtL7y5NWrb9M  
Sve+hq37qTHTVs9PZ7u+Ddc7my/nZKa1Ld88rWitidYE5v48DNP1+Fk  
BzGJoeFNdJ17dJ2/V7+xd0WWSG52D779U6K9Ft99y37Vs9d7D9e/z/  
Guyg3bwakoqrPjh2wHf2JFsdJPXs8+Xz79Rd/+Tvkj3fQj3XSbd33dJA  
+HJvsvjO9dWnr3bPTttmcu/Fzk/93t8psu/+5PWPdNWPdNVt3o3oqp  
d4l1fX001QfXkWnyp8qvZd++T7Xv+tNWY+kf89CN+ugU/fUfbnXx7/u  
3Ud9+V00VZP3/7oqL8AuUT7i/N71/t/eQ12cUfvPn8J5eUr3/76vPyB9  
+rzt5ozyudPPkebZv2Tez9ZPC9/8jvPT558l+zpDzLK7b98c3b1xZuz9R  
uzr5NOY2Tq4uvvv2TxYRyZa/3fvL+T37+sP6p7+4/pHff/dTiWfniBxfvX  
+fCHnKP7OeO9nyVZvsWcHp89fXr18O3Td8ffPf7u7/Pd41fE/zsHz47f  
NTFw7fPLr6z0M9nGcE5vjh9+RTjvLp69qT4KdK/L66+fHfwRL47w3cn  
5U6vfZ+8r4vXvlNO98i3WwEhe3vw+kEGG8ZVte/LTx9fPf3B6H/9/8e  
7T5/8ZNf7QSfEc4/8V3C+Qn+PnlykB1f/D7n375o6pOL0/NvX9HPq9I  
HF8Tuhw562p59Pjuknz6PoUcFttfypJ0Tfvd/n5Pgnzk6eXXwhc2bmz  
5Fdv118tnr39yc+fFUQDp4fKWfn7FPd/8vXrq4ufXPzkNdHpcvLTO9dt  
XL2e7+i3PsV6aQnu7/P4t3q99lpy/wnX11mtAb58s3p9Rff/an5T72Z7  
+erzZ8ufojn6qd97+u7kJ5/Maf3yu6T/7n1xUf7E70M69CcXZTn7AfHh4

+uCN7Oicr9S8j3yWJ6jjXWn3oyPaE15Wc/9Xm585r06U/93vNy+u730  
F70LsuU2P6vIAc/QXN0fvrrqbX28wDi+ev4Tew/b6efP1vIX9+eT77JOZ  
ZXzOwDnyRwwWQafnXwlbbAG/FOv/D6/4rZPWda+ekZ6eod4962  
+//e6r7x4/Ofi9furdwXezJwcX9N0JySnG+MzpK+5v/lOv0Od3BKfd  
rOT373/mr27AnZpBe9Nk8E77OvfufpPz5q9Xs228tDc6+  
+xVo9Qx65MlPzGErf5ryWOuZ0vyY6fNTQkPiq9nnzxqygayfTq6bbx  
aJjqF8jV19+++rg5Mm7g9dEl6+eXR2fP3v1+xxD1r797qeqb18T7ns/8Xs  
+89OybZOl9/Bmjzzq/LYgnju/Oyrcuenvrv7lMdE+oHGyG2+2is//amf0  
VTXzm7xt93vi9v+L664ft7N3x/sPn7509v+P7sqye/z6nYut/nhG1A8Y  
LZq44NUTvxbrciniFd6ewM8fbTJz+xe/1TO+F8ffuK2i3k3Z8Cftr3t787h  
Mp8uflL1+dgKcmdcw7ouD757ODwrisdPj6vjk29cvlt++frVkPrv+Sfr/7  
l0srdbTHbw+SvS72fnJ3vkz7xrTBzz7Z84PsXPt8L7lt8/F505PX9y8dW  
+9FzuTp8dX+vP+7626a7qD71+dky5ovniqfgmN7QnbwLN3Xzw5+Fx/  
vsiefGNwrxXu9TcMd1fh7n4oXKbxT7zilNezi9Nns93IXJaAC9/hO5c/s  
+PPnsP3HvJ5vZtylv9mZ3/VO/90/uTBfPGrLLPzH77nca0r/Pf+r3Lr+a7  
L699n7ztlPwachPmLeZbmBDPzE+fHVv9+ZLl4UrxYPSff+5LUvK980P  
+6ukz857+LM/f3CObRTEQf//s4U/PPr+6+oLG8uQYY/l9zp8ef3VC9A  
S9/8qHosOUL/t6Mxfi03zQvQWf4Oohw/vw7i/vF9N7xAzcvsc9VF5

```
RouteTable.Routes.MapRoute (
    "Default",
    "{controller}/{action}/{id}",
    new { controller = "Home", action = "Index", id = "" }
);
```

```
public class Home : Controller
{
    public Action Index()
    {
        return Content("Hello World");
    }
}
```

```
public class SampleModule : NancyModule
{
    public SampleModule()
    {
        Get["/"] = _ => "Hello World!";
    }
}
```

# DATA ACCESS

```
<?xml version="1.0" encoding="UTF-8" ?>
<sqlMap namespace="Product" xmlns="http://ibatis.apache.org/mapping"
xmlns:xsi="http://www.w3.org/2001/XMLSchema-instance" >
  <alias>
    <typeAlias alias="Product" type="Example.Domain.Product, Example.Domain" />
  </alias>
  <resultMaps>
    <resultMap id="productResult" class="Product">
      <result property="Id" column="Product_Id"/>
      <result property="Description" column="Product_Description"/>
    </resultMap>
  </resultMaps>
  <statements>
    <select id="GetProduct" parameterMap="productParam">
      select * from Products where Product_Id = ?
    </select>
  </statements>
  <parameterMaps>
    <parameterMap id="productParam" class="Product">
      <parameter property="Id"/>
    </parameterMap>
  </parameterMaps>
</sqlMap>
```

```
Product Get(int id)
{
    return db.Single<Author>(
        "SELECT * FROM Products WHERE Id = @0", 1
    );
}
```



```
Product Get(int id)
{
    using (IDbCommand cmd = db.CreateCommand())
    {
        return cmd.GetByld<Product>(1);
    }
}
```

```
Product Get(int id)
{
    return db.Products.FindById(id);
}
```

panacea |ˌpænəˈsiːə|

noun

a solution or remedy for all difficulties  
or diseases

**BUILD TOOLS**



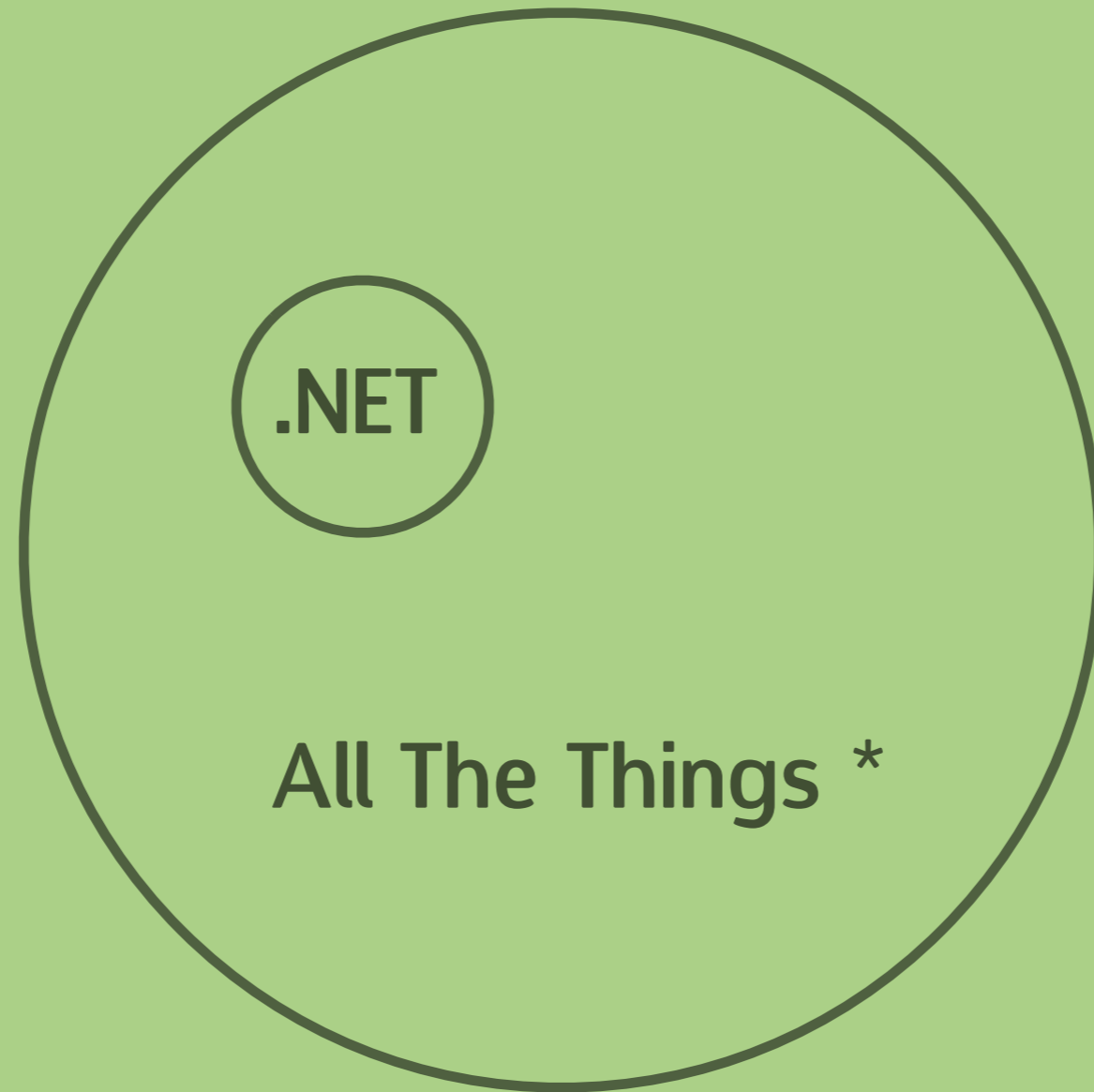
Task Default -Depends BuildMyProj

```
Task Build -Depends Clean {  
  Exec { msbuild "$code_dir\myproj.sln" /t:Build }  
}
```

```
Task Clean {  
  if (Test-Path $artifacts_dir) {  
    rd $artifacts_dir -rec -force | out-null  
  }  
  
  mkdir $artifacts_dir | out-null  
  
  Exec { msbuild "$code_dir\myproj.sln" /t:Clean }  
}
```







\* Not To Scale

```
task :rake_dot_net_initialize do
  ...
end
```

```
task :default => [:build, :test]
```

```
task :build => :rake_dot_net_initialize do
  @sln.build @solution_name
end
```

```
task :tests => :build do
  sh @test_cmd
end
```

# HOSTS/CONTAINERS

**IIS Express  
Self Hosting**

**OWIN:**

**Open Web Interface  
for .NET**

[@kouphax](#) | [james@yobriefca.se](mailto:james@yobriefca.se)

